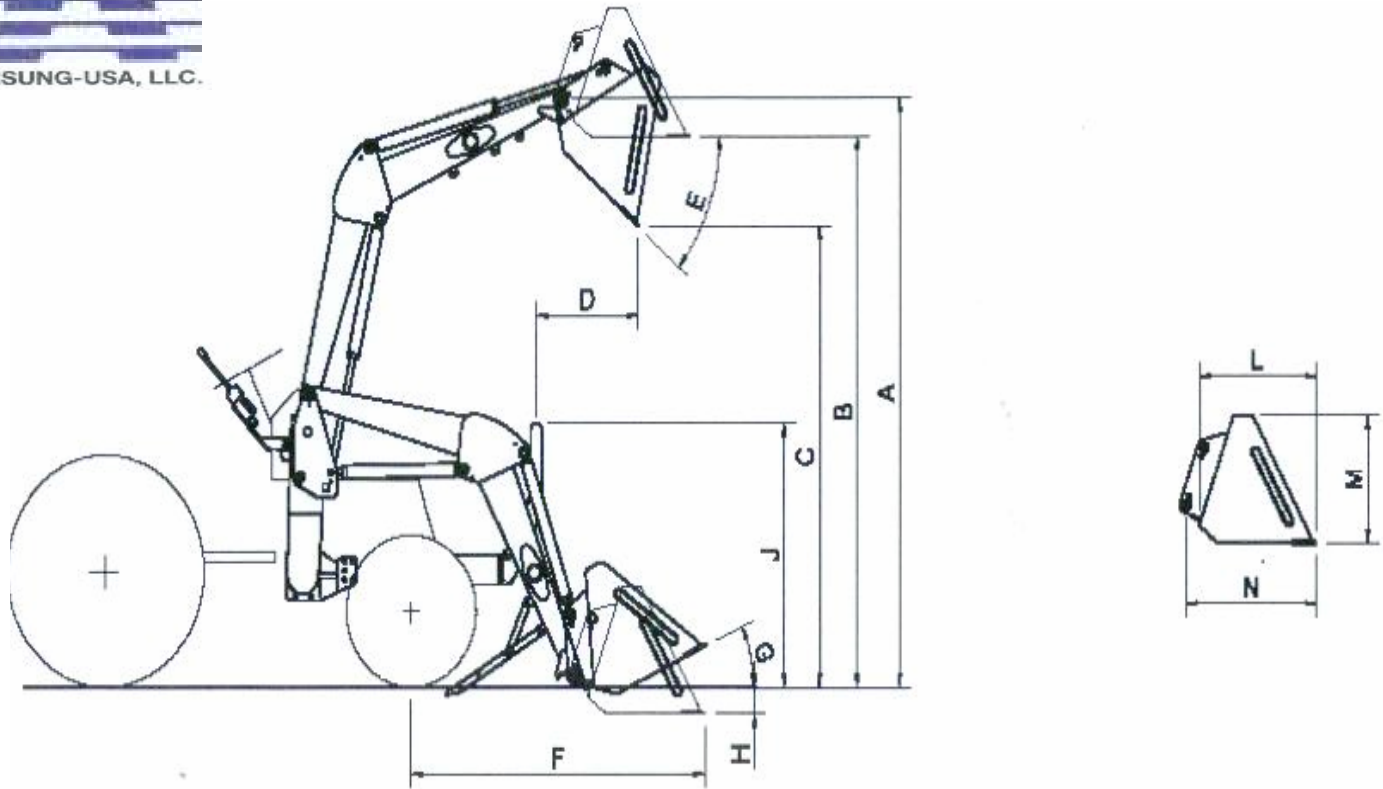




ANSUNG LOADER SPECIFICATIONS



ANSUNG Loader Model: FP25QB
Tractor Model: Jinma 254 / 284 / Farm Pro 2425 / 2430

| | | | |
|---|--|-------|--------|
| A | Maximum Lift Height | ----- | 102.0" |
| B | Clearance with Attachment Level | ----- | 96.7" |
| C | Clearance with Attachment Dumped | ----- | 81.3" |
| D | Reach at Maximum Height | ----- | 26.7" |
| E | Maximum Dump Angle | ----- | 43° |
| F | Reach with Attachment on Ground | ----- | 58.1" |
| G | Attachment Rollback Angle | ----- | 24° |
| H | Digging Depth Below Grade | ----- | 3.1" |
| J | Overall Height in Carry Position | ----- | 46.8" |
| L | Depth of Attachment (to back of inner shell) | ----- | 20.0" |
| M | Height of Attachment | ----- | 21.6" |
| N | Depth of Attachment (to pivot pin) | ----- | 26.3" |

| | | |
|---|-------|---|
| Lift Capacity to Full Height @ Pivot Pins | ----- | 1,550 lbs. |
| Breakout Force @ Ground Level, pivot pin | ----- | 2,910 lbs. |
| Relief Valve Setting (Loader Control Valve) | ----- | 2,233 psi |
| Lift Cylinders | ----- | 2.0" x 17.9" |
| Bucket Cylinders | ----- | 2.0" x 14.5" |
| Attachment used for Specification | ---- | Bucket (Struck) 8.1ft ³ 60" (Heaped) 9.9ft ³ |
| Hydraulic System | ----- | Tractor pump w/o Loader control valve |

Gorilla Tractors Sales and Service
Earning Business One Yard at a Time!

www.GorillaTractors.com

(253) 304-6445